

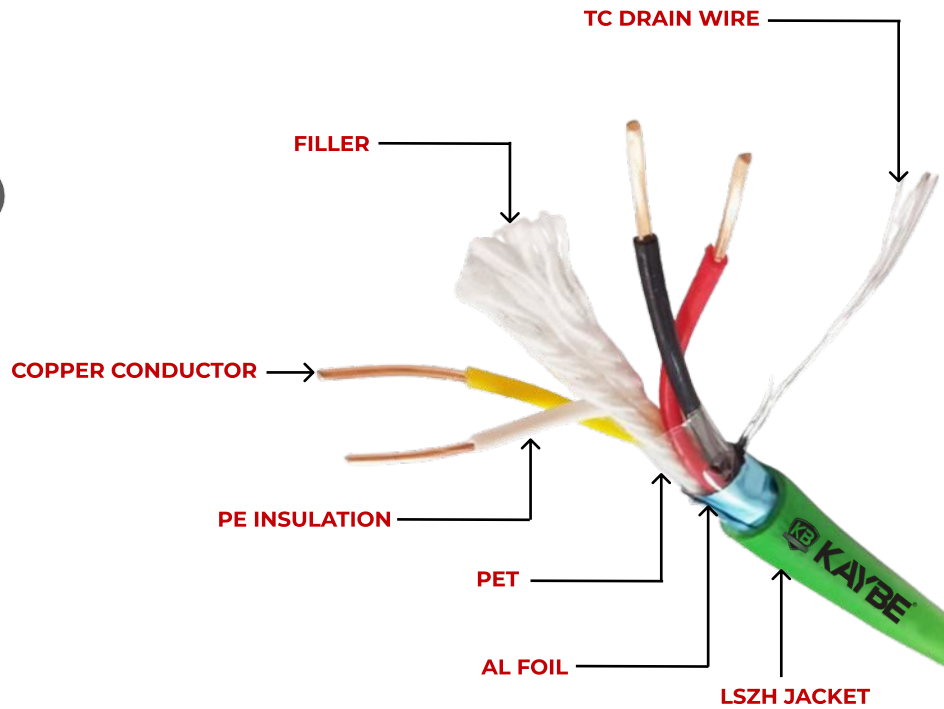


SINGLE PAIR (2 CORES) KNX/EIB, SHIELDED, LSZH JACKET CABLE

PRODUCT NO.: 1P2080KE

DESCRIPTION: 1Pair KNX Cable, 305meters

The KAYBE Single Pair KNX/EIB cable is a high quality communication cable used with a variety of system products for reliable and high speed data communications. KNX/EIB cables are widely used in integrated Audio/Video Intercoms and security cameras, Home automation, Lighting control and Guest room management systems.



ELECTRICAL & PHYSICAL CHARACTERISTICS

Conductor Resistance D.C. @ 20°C	37.7 Ω/km
Operating Temperature Range	-40°C ~+70°C
Insulation Resistance @ 20°C	200 MΩ·km
Operating Voltage V	250V
Min Bending Radius	8 times
Max Pulling Tension	50N/mm2

CONSTRUCTION DATA SHEET

Type	KNX 1X2X0.8
CONDUCTOR	
Conductor Material	Bare Copper Solid
Conductor size (mm)	1 Pair – 0.8mm
INSULATION	
Insulation material	PE
Insulation diameter (mm)	1.4±0.05
Average Thickness (mm)	0.35
Insulation Identification	Black,Red
PAIR TWIST	
Pair Twist	Red - Black
FILLER	
Filler material	Cotton
WRAPPING TAPE	
Wrapping tape material	PET Tape
DRAIN WIRE	
Drain wire material	Tinned Copper
SHIELDING	
Shield material	AL/PET
RIP CORD	
Rip cord	Yes
JACKET	
Jacket material	LSZH
Jacket Diameter (mm)	5.0±0.3
Average Thickness (mm)	0.80
Color	Green

STANDARD REFERENCES FOR THE CABLE

Flame Retardant	IEC 60332-1- Single Cable IEC 60332 – 3 – Multiple cables
Low Smoke Generation	IEC 61034-1 IEC 61034-2
Halogen Gas Emission	IEC 60754-1 IEC 60754-2
ROHS compliant	Yes
Jacket Material tested	Low Smoke Zero Halogen - Green

ORDERING INFORMATION AS PER FOLLOWS

PART NO	DESCRIPTION	LENGTH
1P2080KE-LS	Single Pair KNX, Shielded, LSZH Jacket	305meters / 1000ft
1P2080KE-PVC	Single Pair KNX, Shielded, PVC Jacket	305meters / 1000ft